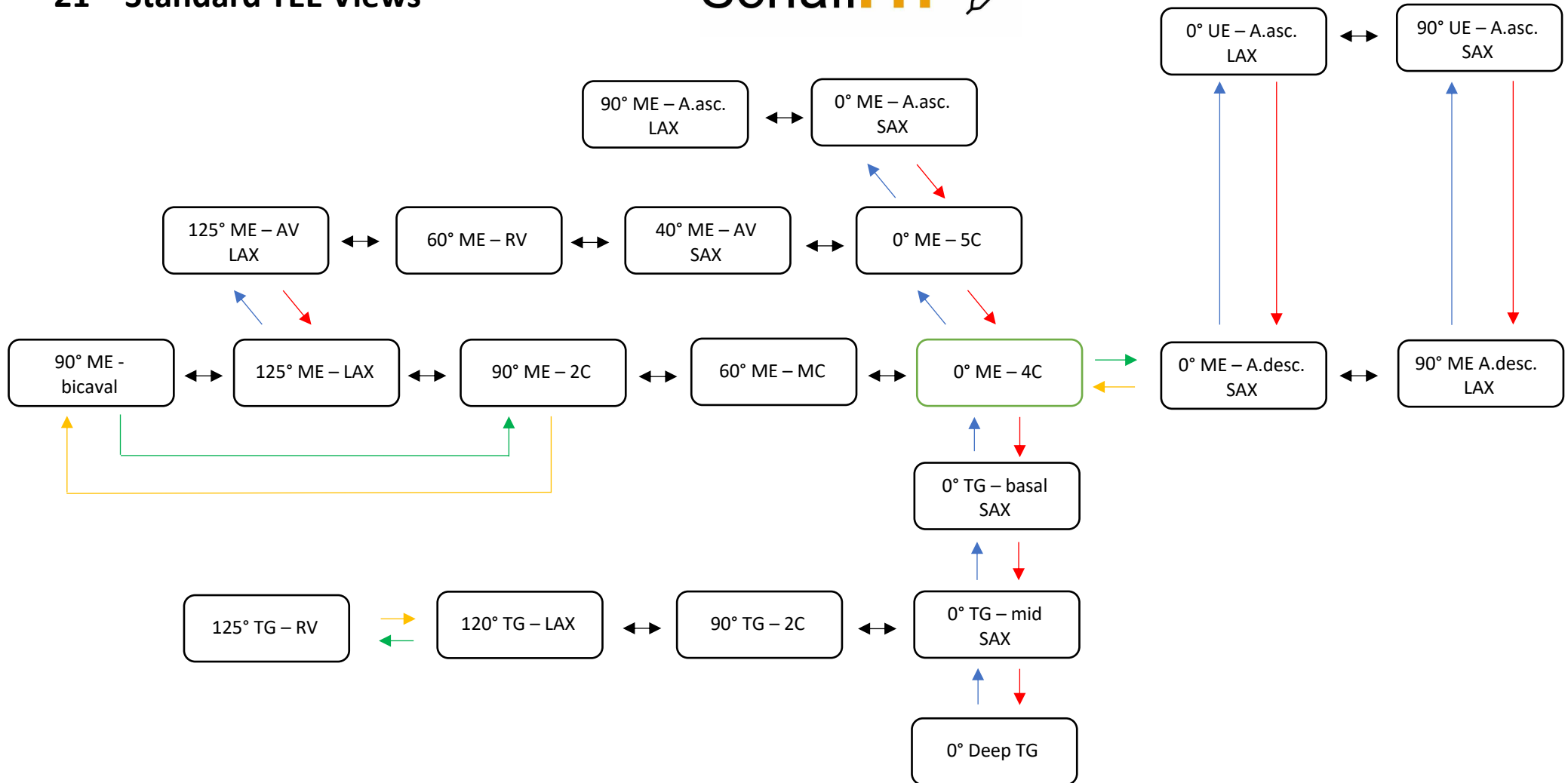


21 – Standard TEE Views



- ↔ change omniplane angle (°)
- rotate probe right
- ← rotate probe left
- increase probe depth
- ← decrease probe depth

UE – upper oesophageal
 ME – mid oesophagal
 TG – trans gastric

LAX – long axis
 SAX – short axis
 RV – right ventricel

TEE – mitral leaflet segments

